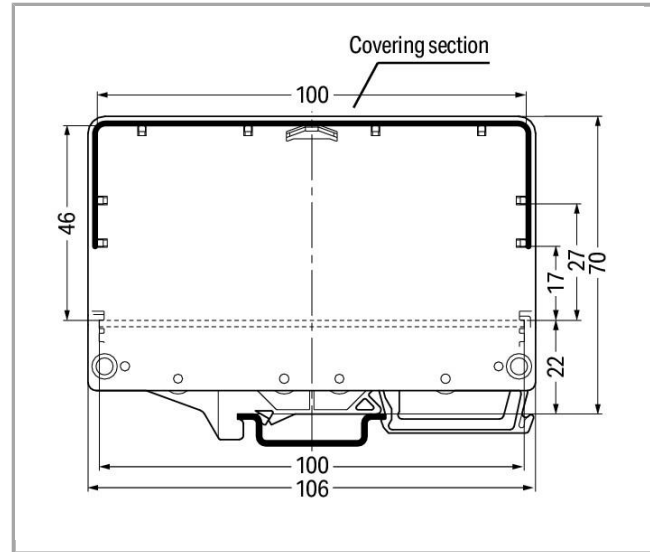


Data sheet | Item number: 288-627

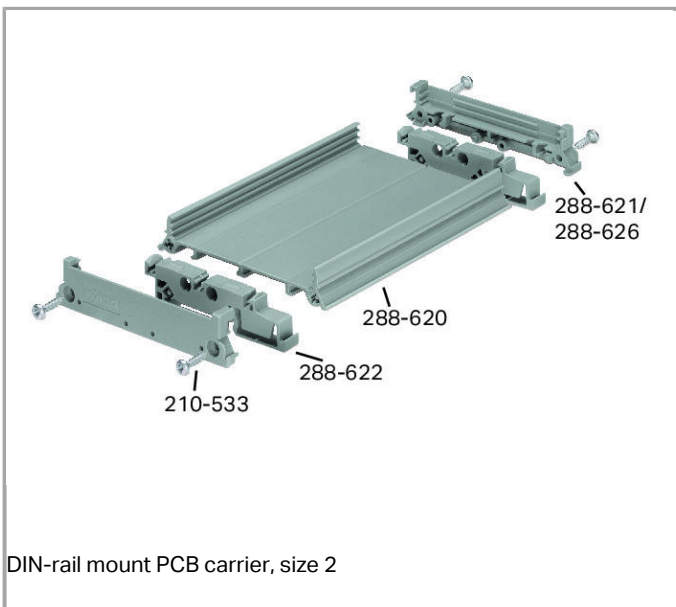
Cover; Size 2; 1 m long

288-627



RoHS  Compliant

[BOMcheck.net](https://www.bomcheck.net)



DIN-rail mount PCB carrier, size 2

Item description

DIN-rail mount PCB carrier, size 2 with cover – cover, size 2; large; 1 m long

## Data

## Geometrical Data

Width	1,000 mm / 39.37 inch
-------	-----------------------

## Mechanical data

Type of mounting	DIN-35 rail
------------------	-------------

## Material Data

Color	transparent
Weight	280 g

## Commercial data

Product Group	6 (Interface Electronics)
Country of origin	DE
GTIN	4017332666374
Customs Tariff No.	85472000900

## Compatible products

## General accessories

	Item no.: 210-533 Phillips screw 2.9 x 13	210-533
	Item no.: 288-620 Track section; Size 2; 1 m long	288-620
	Item no.: 288-620/024-000 Track section; Size 2	288-620 /024-000
	Item no.: 288-626 Lateral cover; Size 2; large; 8.75 mm thick	288-626

## Downloads

## Documentation

## Additional Information

Disposal; Electrical and electronic equipment, Packaging	V 1.0.0	pdf 265.8 kB	Download
--	---------	-----------------	----------



**CAD/CAE - Smart Data**

**CAD data**

3D Download 288-627

URL

Download

---

Subject to changes.

---